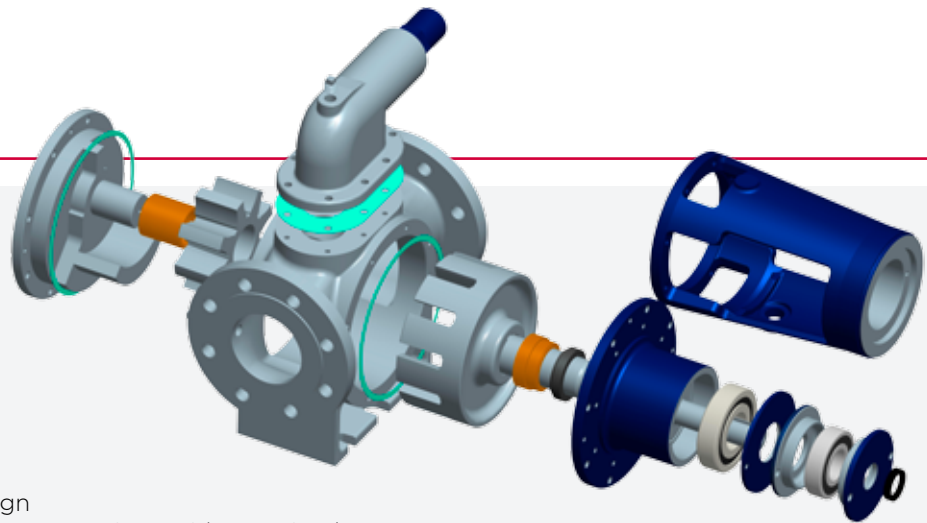


ROTAN® CD

Chemical Duty Pumps



Key features and benefits

- Flexible sealing options
- “True” back pull-out design
- Opposing inlet and outlet connections with oversized ports
- Shaft supported by two ball bearings in single sealed configuration
- Self-priming with large suction capabilities
- Low NPSH requirements
- Self-draining, integral safety relief valve
- No speed reduction required in six smaller sizes
- Complete heating/cooling jacketing available



Pumps in stainless steel, designed to handle corrosive liquids.

CD pumps are designed for handling corrosive liquids, primarily found in the chemical processing, food and pharmaceutical industries.

Available with 90° angular configuration.

Special features and understanding product demands are necessary for being a supplier in this field.

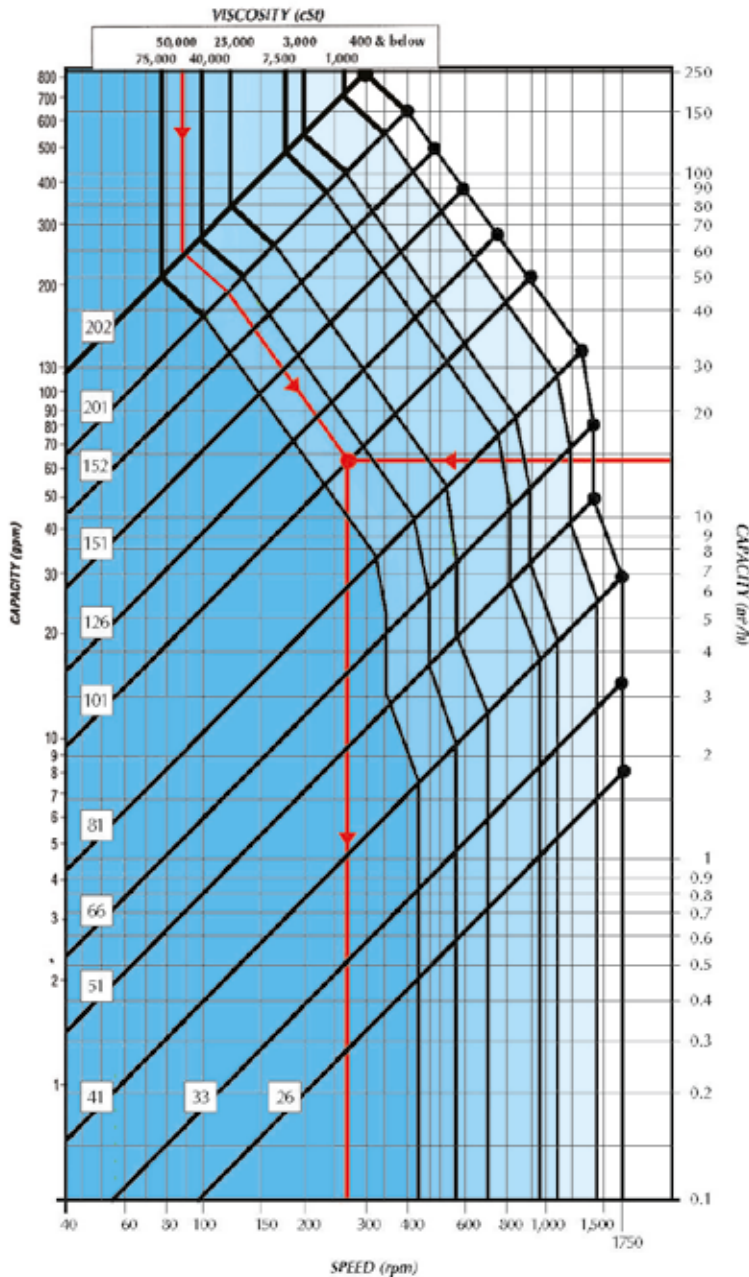
DESMI has the products required and has a large number of ROTAN® pumps in operation.

Capacity Range	Up to 170 m ³ /h / 748 gpm
Speed	Up to 1750 rpm
Differential Pressure	Up to 16 bar / 232 psi
Suction Lift	Up to 0,5 bar / 7.25 psi vacuumwhile priming Up to 0,8 bar / 11.6 psi vacuumwhile pumping
Viscosity Range	Up to 250,000 cSt
Temperature	Up to 250°C / 482°F
Pumping of: Organic acid, Fatty acid, Alkali, Caustic soda, Polymer solutions, Soap, Shampoo, Animal fat, Vegetable fat, Chocolate, Other special fluids, Resin, Paint, Rosin	

For more information on Marine & Offshore solutions, please visit www.desmi.com

DESMI

Selection of Pump size



PLEASE NOTE!

ED: Capacity curve up to 151
 GP: Capacity curve up to 101

To select the pump size with this table, you should only know:

- The capacity
- The viscosity

We start at the top of the table with the viscosity, and draw a line down, staying within the colour of the selected viscosity range (see example).

Then we start at the right of the table, drawing a horizontal line starting with the required capacity (see example).

The point where these two lines meet determines the pump size, defined by the diagonal lines in the table. If you do not hit one of these pump lines exactly, increase the capacity a bit. The speed is found vertically below the point of intersection (see example).

The maximum speed of each pump is found vertically below the end of each pump line (indicated with the small black dot). This maximum speed must be reduced to max. 50% when pumping strongly abrasive liquids or emulsions.

When the differential pressure is known, the shaft power is calculated by:

$$E(KW) = 0,07 \times \text{flow (m}^3/\text{h)} \times \text{differential pressure (bar)}$$

The requested shaft power has to be increased by up to 35% when using a small ROTAN® pump in combination with high viscosity (Over 10,000 cSt).

The requested shaft power has to be decreased by up to 35% when using a big ROTAN® pump in combination with low viscosity (Under 500 cSt).