



Max Machinery, Inc.
an ISO 9001:2008 certified company

Model 213 Piston Flow Meter (Analog)

1 to 1800 cc/min

SPECIFICATIONS

Flow Range (at 2 cP)	1 to 1800 cc/min
Maximum Operating Pressure	70 bar or 210 bar (1000 or 3000 psi)
Displacement	0.89 cc/rev
Weight	1.1 kg
Recommended Filtration	10 micron
Port Size(s)	1/8" NPT, #4 SAE or manifold mount
Accuracy	± 0.2% of reading
Fluids	Most non aqueous, organic liquids

MATERIALS OF CONSTRUCTION

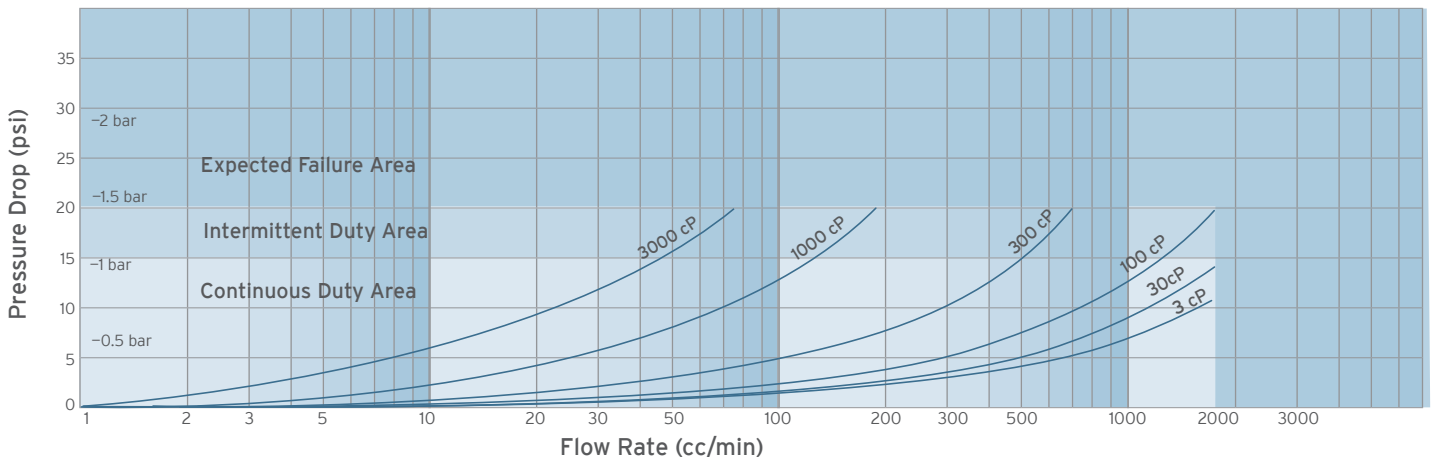
Body	Stainless steel, type 303
Pistons	Nitride hardened stainless steel, type 303
Crankshaft	Stainless steel
Bearings	All ball bearings, 440C stainless steel
O Rings	Viton®- standard • Teflon®, Perfluoro elastomer



ANALOG TRANSMITTER

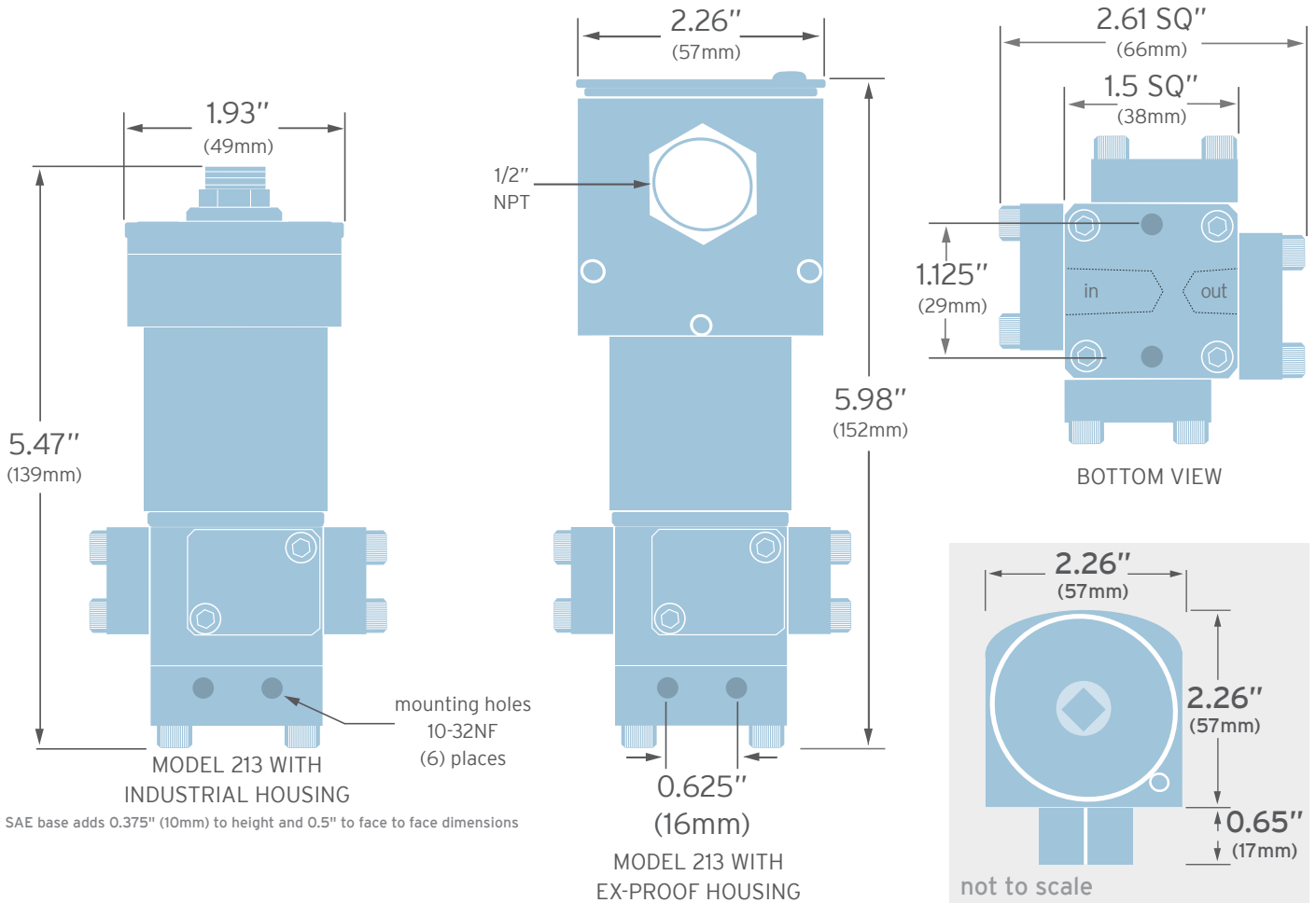
Output Signal	Any range of ± 10V or ± 20mA Linearized and damped with anti-dither protection. Accurate to 2mV or 4µA
Power Supply Requirements	Two Models: 12Vdc @ 90 mA, 24Vdc @ 45 mA
Ambient Operational Range	-40°C to 80°C, Single piece – Two piece to 110°C
Metered Liquid Temp Range (based on 20° ambient)	-40°C to 90°C, Standard model -40°C to 225°C, Two piece high temperature model
Compliance	CE Certified, Ex-proof version available with ATEX, UL, cUL certification for Class 1, Division 1, Groups C and D

TYPICAL PRESSURE DROP (Delta P versus Flow rate for various viscosities)



Model 213 Flow Meter (Analog)

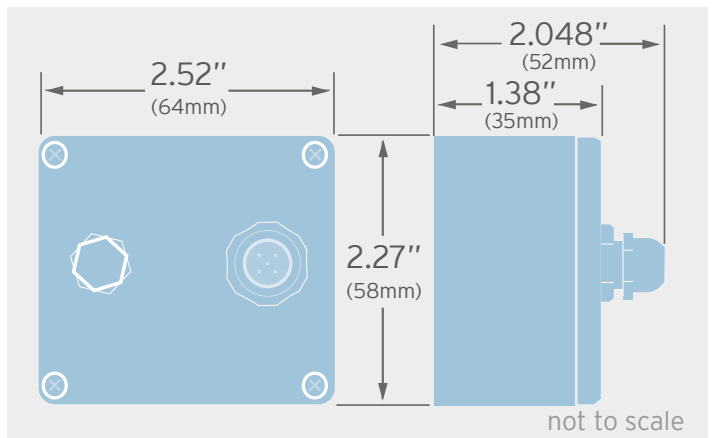
CONNECTIVITY/DIMENSIONS



ELECTRICAL CONNECTION – ANALOG TRANSMITTERS

	Turck® Connector		
	Pin #	Mating Cable Wire Color	NPT model
Case Ground	3	Blue	Case
Common	4	Black	Com
Power *	1	Brown	V+
Signal Output (+)	5	Grey	Sig
Signal Output (-)	2	White	Ret

* Please specify 12Vdc or 24Vdc operation



REMOTE PCA ENCLOSURE FOR HIGH TEMPERATURE TRANSMITTERS



Flow-Tech Industries 4601 South Pinemont, Suite 100 Houston, Texas 77041 Phone: 713.690.7474 Fax: 409.882.0254
 sales@flow-tech.com www.flow-tech.com