

RT-30-EX Hazardous Area Rated Meter-Mounted Flow Monitor



Ideal for any industry or flow measurement application where a weather-tite local rate & total display is required.

Features:

The RT-30-EX Meter-Mounted Flow Monitor is ideal for hazardous area applications.

- CSA Class I, Div. I Explosion-proof certification for use in hazardous areas
- HART* communication protocol option for remote monitoring and programming.

Benefits:

EXPLOSION-PROOF CERTIFICATION

This monitor has been certified by CSA as “explosion-proof” and rated for use in hazardous areas. (Class I, Div. 1 Groups A, B, C, D; Class II, Div. 1 Groups E, F, G; Class III)

EASY FIELD PROGRAMMING

Flow rate or total can be easily programmed to display in choice of engineering units. To change any key functions, simply use the magnet that is attached. No opening of the enclosure is required.

OPTIONS FOR REMOTE INDICATION

The RT-30 is available with the HART® communication protocol for use with other HART® components. A 4-20 mA rate output with user programmable filtering and scaling is also provided for remote indication.

UP AND RUNNING IN MINUTES

Easy drop-in installation using the AW swivel fitting. A quick setup procedure allows you to have the flow monitor working with just a few simple programming steps.

FLEXIBLE MOUNTING

With the swivel fitting, the RT-30 unit can be rotated 360* for optimal viewing from multiple angles. Options available to fit any AW gear meter or SABRE turbine meter.

WEATHER-PROOF ENCLOSURE

NEMA 4X enclosure provides environmental protection from moisture, temperature and debris.



Technical Specifications:

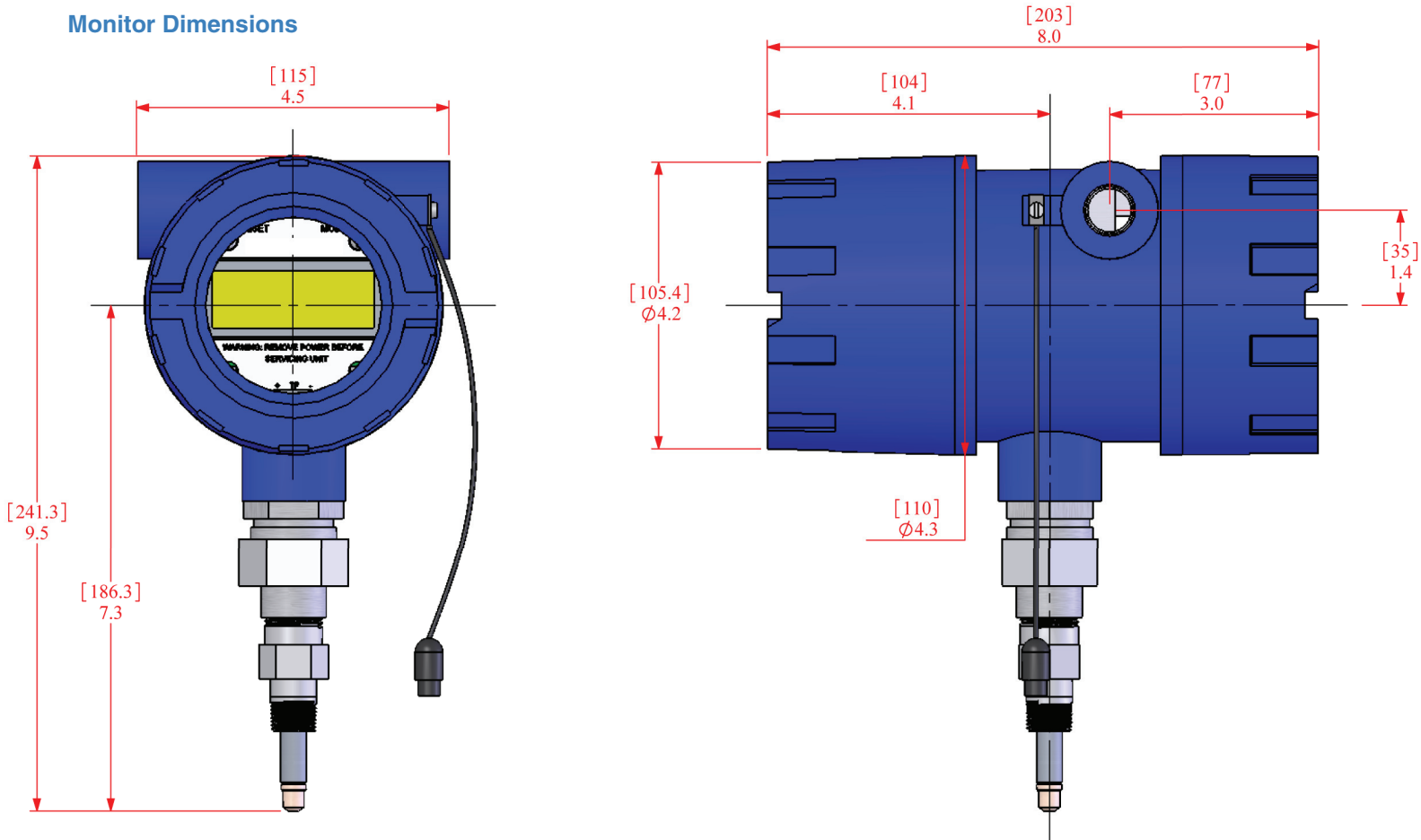
- **Power Requirement:**
15-24 VDC/150mA (customer supplied)
Class 2
- **Analog Output 4-20mA:**
 - 16-bit D/A converter
 - 3- or 2-wire plus separate supply
 - Max load impedance 500 ohm
- **Three Opto-Isolated Open-Collector Outputs:**
 - Programmable for frequency output or limit outputs
 - 5-30 VDC rating
 - 50 mA max (min. load impedance required 600 Ohm @ 30 VDC)
- **Built in 10 point Linearization**
- **CSA Certifications:**
 - Class I, Div. I, Groups A, B, C, D
 - Class II, Div. I, Groups E, F, G
 - Class III
- **Sensor / Monitor Frequency Range:**
0-4000 Hz
- **Temperature Rating:**
-20 to 60°C (-4 to 140°F)
- **Connection:**
3/4" female NPT conduit provisions
- **One Opto-Isolated Input:**
 - 24 VDC remote reset



RT-30-EX Hazardous Area Rated Meter-Mounted Flow Monitor



Monitor Dimensions



Part Number Guide

RT-30-EX Model Number	Option
RT-30-EX	Hazard location rated w/ union
RT-30-EX-HRT	Hazard location rated Hub version



Contact AW Gear Meters:

toll-free: 800-850-6110

fax: 262-884-9810

email: awinfo@aw-lake.com

website: www.awgarmeters.com



Flow-Tech Industries
 4601 South Pinemont, Suite 100
 Houston, Texas 77041
 Phone: 713.690.7474
 Fax: 409.882.0254
 sales@flow-tech.com
 www.flow-tech.com