




I-211
SEP 2013
Revision 0


WKLV Multi-Stage Oil Pump 42V Oil Lubricated Mechanical Seal

INSTALLATION, OPERATION AND MAINTENANCE INSTRUCTIONS

Part Number: _____

Serial Numbers: _____

 These operating instructions contain fundamental information and precautionary notes. Please read the manual thoroughly prior to installation of unit, electrical connection and commissioning. It is imperative to comply with all other operating instructions referring to components of individual units.

 This manual shall always be kept close to the unit's location of operation or directly on the pump set.

SERVICE RECORD PAGE

Service No. _____ Model _____ Size and Type _____

Customer Order No. _____ Date Installed _____

Installation Date	Location	Application

PUMP RATING

Capacity _____ Total Head _____

Suction Pressure _____ Speed (RPM) _____

Liquid pumped _____ Temperature _____

Specific Gravity _____ Viscosity _____

Port Width (inches) _____

PUMP MATERIALS

Casing _____ Impeller _____ Shaft _____

Gaskets _____ Bearing Frame _____

Mechanical Seal/Packing _____

MOTOR DATA

Motor _____ Make _____ Serial No. _____

Type _____ Frame _____ AC or DC _____

HP _____ RPM _____ Volts _____

Phase _____ Cycles _____

NOTES ON INSPECTION AND REPAIRS

INSPECTION DATE	REPAIR TIME	REPAIRS	COST	REMARKS

INSTALLATION, OPERATION AND MAINTENANCE INSTRUCTIONS

TABLE OF CONTENTS

SECTION/PARAGRAPH	PAGE	SECTION/PARAGRAPH	PAGE
I. GENERAL DESCRIPTION AND SAFETY		VI. MAINTENANCE	7
PRECAUTIONS.....	1	A. Lubrication of Pump Bearings and Bushings	8
A. General Information	1	B. Lubrication of Motor	8
B. Disclaimer	1	C. Torque Values.....	8
C. Personnel Qualification and Training.....	1	VII. SERVICE AND REPAIR.....	8
D. Pump Identification.....	1	A. Preparations for Disassembly of Pump	8
E. Parts Inventory Guide	2	B. Disassembly of Pump	9
F. Parts Ordering.....	2	C. Parts Inspection	10
G. Safety Precautions	2	D. Replacement of Wear Rings.....	11
II. INSPECTION AND STORAGE	3	E. Reassembly of Pump.....	12
A. Inspection.....	3	F. Replacement of Mechanical Seal	13
B. Storage of Pump	3	G. Impeller Axial Alignment	14
III. INSTALLATION	3	H. Motor	14
A. Location.....	3	I. Coupling.....	14
B. Handling	4	J. Check Valve.....	14
C. Coupling Alignment.....	4	VIII. PARTS LISTS AND DRAWINGS	14
D. Pre-Installation Procedures.....	4		
E. Piping	4		
F. Auxiliary Piping Connection and Gauges.....	4		
G. Motor	4		
H. Direction of Rotation.....	5		
IV. OPERATION.....	5		
A. Pre-start Cautions	5		
B. Priming	5		
C. Starting the Pump	5		
D. Operating Checks	5		
E. Stopping the Pump.....	5		
F. Indefinite Shutdown.....	6		
V. TROUBLESHOOTING OPERATING PROBLEMS.....	6		

LIST OF TABLES

NUMBER	TITLE	PAGE
1.	Pumping Unit Troubleshooting	6
2.	Recommended Torque Values (ft-lbs).....	8
3.	Recommended Equipment	8
4.	Wear Ring Clearances.....	11
5.	Recommended Spare Parts List.....	14

LIST OF ILLUSTRATIONS

NUMBER	TITLE	PAGE
1.	Sling Position for Moving Pumping Unit.....	4
2.	Axial Alignment of Impeller	15
3.	Alternative Lower Bearing Assembly	15
4.	Sectional Assembly Drawing	17

This page left intentionally blank.

I. GENERAL DESCRIPTION AND SAFETY PRECAUTIONS.



CAUTION

A. GENERAL INFORMATION. WKLV pumps are vertical, multi-stage, centrifugal oil pumps. Carver Pump Company products are carefully engineered and manufactured and, if properly installed, maintained, and operated, should provide maintenance-free operation and a long service life.



CAUTION

These instructions must always be kept close to the product's operating location or directly with the product.

This manual is designed to provide sufficient material to properly maintain the total pumping unit. The information presented should improve your knowledge and understanding of the WKLV, Multi-Stage Oil Pump, thus upgrading the reliability, service life, and quality of pump maintenance.

These operating instructions do not take into account local regulations; the operator must ensure that such regulations are strictly observed by all, including the personnel called in for installation. Compliance with such laws relating to the proper installation and safe operation of the pumping equipment is the responsibility of the equipment owner and all necessary steps should be taken by the owner to assure compliance with such laws before operating the equipment. These instructions are intended to facilitate familiarization with the product and its permitted use to help satisfy safety requirements. Always coordinate repair activity with operations personnel, and follow all plant safety requirements and applicable safety and health laws/regulations.

Refer to Figure 4, the sectional assembly for the location of parts identified by item numbers. Variations do exist between configurations, not all parts described in the text may be on your configuration.

These instructions should be read prior to installing, operating, using and maintaining the equipment in any region worldwide and in conjunction with the main user instructions provided. The equipment must not be put into service until all the conditions relating to safety instructions have been met.

B. DISCLAIMER. Information in these User Instructions is believed to be reliable. In spite of all the efforts of Carver Pump Company to provide sound and all necessary information the content of this manual may appear insufficient and is not guaranteed by Carver Pump Company as to its completeness or accuracy.

C. PERSONNEL QUALIFICATION AND TRAINING. All personnel involved in the operation, installation, inspection and maintenance of the unit must be qualified to carry out the work involved. If the personnel in question do not already possess the necessary knowledge and skill, appropriate training and instruction must be provided. If required the operator may commission the manufacturer/supplier to provide applicable training.

Follow instructions in this manual carefully. Factory warranty applies only when pump operates under conditions as specified on order acknowledgment, and if pump is properly installed and maintained as recommended herein. A copy of this manual should be available to operating personnel. Additional copies of this manual are available upon request from Carver Pump Company and your local distributor. For comments and/or questions about information provided, please contact Carver Pump Company or your local distributor.

D. PUMP IDENTIFICATION. The type of pump, pump size, operating data, and serial number are all stamped on the nameplate attached to the pump. Pump specifications should be recorded upon receipt of the pumping unit. Record all necessary information on the pump service record page and inspection and repair record provided at the front of this manual. This information must be included in all correspondence regarding the unit. This will ensure that the correct pump and/or parts are ordered in a timely manner.

E. PARTS INVENTORY GUIDE. To avoid unnecessary delays for maintenance, spare parts should be readily available, purchase before and keep in stock, for normal service. Most conditions will be covered if this manual is followed. For every one to three pumps, stock one spare set consisting of items listed in Table 5, Recommended Spare Parts. Part numbers correspond to Figure 4.

F. PARTS ORDERING. When ordering replacement parts, please specify:

- Serial number of pump (located on nameplate)
- Part name (located on parts list)
- Quantity of parts needed

Carver Pump Company may ship an interchangeable part that is not identical in appearance or symbol. This is done only if the part has been improved. Examine parts carefully upon delivery before questioning factory or company representative. Never return parts to the factory without authorization from Carver Pump Company.

If an impeller is ordered, specify diameter across blade tips. Be sure diameter was NOT trimmed further than diameter shown on Carver Pump Company records.

If a driver or driver parts are ordered, specify name of manufacturer and all other data found on the driver nameplate.

G. SAFETY PRECAUTIONS. The manual is designed to provide adequate instructions for the safe and efficient installation, operation, or maintenance of the pump. Failure or neglect to properly install, operate, or maintain the pump may result in personal injury, property damage, or unnecessary damage to the pump. This manual must be read and understood both by the installing personnel and the responsible trained personnel/operators prior to installation and operation, and it must always be kept close to the location of the pumping unit for easy access.

G.1 Summary of Safety Marking.

The safety instructions contained in this manual whose non-observance might cause hazards to persons are specially marked with the symbol:



General hazard sign to ISO 7000 - 0434.

The word "Caution" is used to introduce safety instructions whose non-observance may lead to damage to the machine and its functions.

Instructions attached directly to the machine, e.g.

- Arrow indicating the direction of rotation
- Markings for fluid connections must always be complied with and be kept in a perfectly legible condition at all times.

Observe all note, caution or danger tags attached to the equipment or included in this manual.

G.2 Non-compliance with Safety Instructions.

Non-compliance with safety instructions may result in personal injury, property damage, or unnecessary damage to the pumping unit. Non-compliance with these safety instructions will also lead to forfeiture of any and all rights to claims for damages. Non-compliance, can for example, result in:

- Failure of important pumping unit functions.
- Failure of prescribed maintenance and servicing practices.
- Hazard to personnel by electrical, mechanical, and chemical effects as well as explosion.
- Hazard to the environment due to leakage of hazardous substances.

G.3 Safety Instructions for Maintenance, Inspection, and installation Work.

The operator is responsible for ensuring that all maintenance, inspection and installation work be performed by authorized, qualified personnel who are thoroughly familiar with the manual and pumping unit.

The pumping unit must have cooled down to ambient temperature, pump pressure must have been released and the pump must have been drained before working on any pumping unit.

Work on the pumping unit must be carried out during shutdown. The shutdown procedure described in the manual for taking the unit out of service must be adhered to.

Pumps handling fluids that are hazardous to personnel must be decontaminated prior to being worked on.

Immediately following completion of the work, all safety relevant and protective devices must be reinstalled and/or reactivated.

Please observe all instructions set out in the section on start-up before returning the pumping unit to service.

G.4 Unauthorized Modification and Manufacture of Spare Parts.

Modifications or alterations of the pumping unit supplied are only permitted after consultation with Carver Pump and to the extent permitted by Carver Pump. Original spare parts and accessories authorized by Carver Pump ensure safety. The use of other parts can invalidate any liability of Carver Pump for consequential damage and/or warranty.

G.5 Unauthorized Modes of Operation.

The warranty relating to the operating reliability and safety of the unit supplied is only valid if the pumping unit is used in accordance with its designated use as described in the following sections. The limits stated on the nameplate must not be exceeded under any circumstances.

II. INSPECTION AND STORAGE.

A. INSPECTION. Upon receipt of the shipment, unpack and inspect the pumping unit and individual parts to insure none are missing or damaged. Carefully inspect all boxes and packing material for loose parts before discarding them. Immediately report any missing parts or damage incurred during shipment to the factory and to the Transportation Company and file your "damage and/or lost in shipment" claim with the carrier.

B. STORAGE OF PUMP. If the equipment is not to be immediately installed and operated, store it in a clean, dry, well-ventilated place, free from vibrations, moisture and rapid or wide variations in temperature.

NOTE

Storage requirements vary depending on climatic environment, length of storage and equipment. For storage periods of three months or longer, contact manufacturer for specific instructions. Improper storage could damage equipment and would result in non-warranty covered restoration of non-warranty covered product failures.

When storing the pump up to three months rotate the shaft for several revolutions at least once per month to coat the bearings with lubricant, retard oxidation and corrosion, and prevent possible false brinelling.

The motor bearings should be prepared for storage according to the motor manufacturer's instructions, in the motor manufacturer's maintenance manual, which should come with the motor.

The pump throttle bushing (13) and lower bearing (18) utilize oil for lubrication during operation and are self-lubricating.



For shipment and long term storage purposes the pump ball bearing shall be fogged once every 30 days during storage with a rust retardant compatible with the oil used in the system to prevent rusting.

Consider a unit to be in storage when:

1. It has been delivered to the job site and is waiting to be installed.
2. It has been installed but operation is delayed pending completion of construction.
3. There are long (30 days or more) periods between operating cycles.
4. The plant (or department) is shut down for periods of longer than 30 days.

Measures to be taken for prolonged shutdown of installed pumping unit. If the pumping unit remains installed a periodic check of operation is in order to make sure that the pump is always ready for instant start-up and to prevent the formation of deposits within the pump and the pump intake area. Start up the pumping unit regularly once a month or once every 3 months for a short time (approximately 5 minutes) during prolonged shutdown periods. Prior to operation check run ensure that there is sufficient liquid available for operating the pump.

III. INSTALLATION.

A. LOCATION. The pump assembly should be located in an area that will permit periodic inspection and maintenance. Head room and access should be provided and all units should be installed in a dry location with adequate drainage. The discharge piping should be direct with as few elbows and fittings as possible.

B. HANDLING.



CAUTION

Use a hoist with adequate lifting capacity.

Do not pick up the complete unit by the motor or the pump shafts or motor lifting eyes.

If the pumping unit slips out of the sling arrangement, it may cause injury to personnel and/or damage to the pumping unit.

Moving the unit requires proper preparation and handling. Always make sure that the pump cannot slip out of the transport suspension arrangement. Four lifting eyes shall be inserted in the bolt holes on each corner of the base (39). Attach the hoisting chain to the lifting eyes. (Figure 1) The individual motor may be lifted using proper eyebolts provided by the manufacturer, but these should not be used to lift the assembled unit.

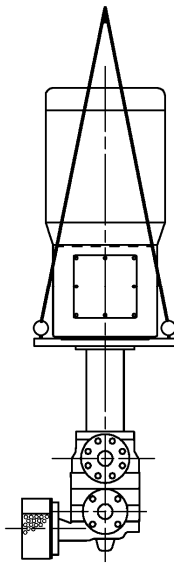


Figure 1. Sling Position for Moving Pumping Unit

C. COUPLING ALIGNMENT. The pump and motor are connected by a coupling. The base aligns the pump and motor. No further alignment is necessary.

D. PRE-INSTALLATION PROCEDURES.

1. Check the pump foundation and confirm the bolting surface is flat and the bolt pattern is correct.
2. Place gasket on pump foundation and slowly lower pump onto the foundation.

3. With the pump in a vertical position resting on the pump foundation, rotate the pump by hand utilizing the coupling. Check for any mechanical hesitation, binding or any acoustically transmitted signals from the pump. Hand rotation should be smooth and silent if it is not disassemble the pump until the source of the binding is located. Eliminate the binding and reassemble. Install the pump to foundation bolting and tighten to the system torque values. The pump should be rotated frequently during the procedure to tighten down the pumping unit.
4. After the pumping unit has been completely tightened down to the foundation, confirm that there is no binding.
5. Connect the piping.

E. PIPING. All piping should be independently supported near the pump so that pipe strain will not be transmitted to the pumping unit.



CAUTION

All piping connections must be made with the pipe in a freely supported state. Do not apply vertical or side pressure to align the piping with the pump flange.

Before connecting suction, discharge, and auxiliary piping, check to see that the piping is absolutely clean internally. Any debris in the piping will be drawn into the pump passageways and can cause extreme damage. The internal diameters of the suction and discharge lines must be equal to the internal diameters of the pump suction and discharge nozzles.

F. AUXILIARY PIPING CONNECTIONS AND GAUGES. In addition to primary piping connections, the pump may require other connections such as gauges or drains. All these lines and gauges should now be installed.

G. MOTOR. See motor vendor's manual for motor information and information on connecting to the power supply.



CAUTION

Connection to the power supply must be effected by a trained electrician only. Check available main voltage against the data on the motor rating plate and select appropriate start-up method.

H. DIRECTION OF ROTATION. Correct pump rotation is indicated by an arrow on the frame adaptor. The standard direction of rotation, viewed from the motor end, is counter clockwise. The direction of rotation must agree with the arrow stamped on the pump frame or base.

IV. OPERATION.

A. PRE-START CAUTIONS.



Before activating the pumping unit, check to make sure there are no personnel working on the unit. Serious injury or death to personnel could result if the unit is activated while being worked on.

1. Before starting or operating the pump, read this entire manual, especially the following instructions.
2. Observe all caution or danger tags attached to the equipment.



Never run the pump dry. Close running fits within the pump are liquid lubricated. Dry running will result in pump seizure or damage.

3. Before starting the pump, the pump suction casing should be completely submerged in liquid.
4. Check final alignment of pump and driver. Both shafts must turn freely by hand.
5. If excessive vibration or noise occurs during operation, shut the pump down and rotate shaft by hand. If excessive vibration or noise continues, consult a Carver representative.
6. Before starting the pump, install closed guards around all exposed rotating parts.
7. Jog starter switch on motor to check that the direction of rotation must agree with the arrow stamped on the pump frame or base.

B. PRIMING. Dry running a centrifugal pump can result in extensive damage and possible seizing. It is, therefore, imperative that the pump be primed prior to initial start-up and that prime must be maintained through subsequent start-stop cycles.

Follow the procedure listed below:

1. Check the level in the tank to see that the pump is submerged in liquid.
2. The pump is now primed.

C. STARTING THE PUMP.



Do NOT operate pumping unit against a closed discharge system. If pump has any chance of operation against a closed system, a bypass system allowing a minimum design flow should be installed. This bypass will be satisfactory for short periods of operation. For extended periods of operation the bypass should be sized for the minimum continuous flow required by the pump.

1. Check pump for proper priming and lubrication.
2. Fully open the suction valve.
3. Open discharge valves slightly, about 1 to 1 ½ turns if pump is being started for the first time or from being turned off for overhaul. Start the pump.
4. Slowly open discharge valves and adjust pressure and flow to the appropriate operating conditions. Refer to pump nameplate and system operating procedures for design point condition.

D. OPERATING CHECKS.

1. Check for undue vibration or noise. If any occurs and does not stop within a short period of time, turn off the pump. For determination of the cause and its remedy refer to troubleshooting in Section V or consult Carver Pump Company.
2. Check and record flow and pressure readings. The flow and pressure readings should be within the operating system guidelines and similar to number stamped on the pump nameplate.
3. Check and record vibration.
4. Check and record power input to the motor.

E. STOPPING THE PUMP.

1. If the pump is being stopped for overhaul, slowly close the discharge valve. Otherwise leave discharge valves set at condition.
2. Stop the pumping unit in accordance with the directions on the electrical power supply.

3. Tagout and lockout power to motor according to OSHA Standard 1910.147.
4. Close suction valve and any auxiliary fluid lines.
5. The pumping unit is now off.

F. INDEFINITE SHUTDOWN. Fog bearing with rust retardant compatible with the oil used. Provide pump assembly with a protective cover. Remove casing plug to drain casing. Drain all piping if there is a possibility of liquid freezing.

V. TROUBLESHOOTING OPERATING PROBLEMS.

If you have followed the installation and starting procedures outlined in this manual, the pump should provide reliable service and long life. However, if operating problems do occur, significant time and expense can be saved if you refer to Table 1 to eliminate the most common causes of those problems.

Table 1. Pumping Unit Troubleshooting

SYMPTOM	PROBABLE CAUSE	CORRECTIVE ACTION
Failure to deliver liquid.	<ol style="list-style-type: none"> 1. Discharge head above shutoff. 2. Check valve stuck or improperly installed. 3. Impeller or suction clogged. 	<ol style="list-style-type: none"> 1. Check pump rating against actual head condition. 2. Adjust and/or reverse valve. 3. Inspect strainer and impeller. Clean as necessary.
Excessive power consumption.	<ol style="list-style-type: none"> 1. Head lower than rating: trying to pump too much liquid or operating at end of performance curve. 2. Specific gravity or viscosity of oil is too high. 3. Mechanical defects such as binding rotating elements. 4. System head lower than design condition. 5. Incorrect impeller diameters. 	<ol style="list-style-type: none"> 1. Adjust pressure flow. 2. Check oil temperature and adjust as necessary. 3. Check for excessive pipe strain. Check foundation bolting. Replace defective parts. 4. Adjust system head. Trim impellers to actual condition. 5. Replace impellers or trim impellers to correct diameter. Consult with Carver Pump before trimming impellers.
Insufficient discharge or flow.	<ol style="list-style-type: none"> 1. Discharge head above shutoff. 2. Air or gases in oil. 3. Impeller or suction partially clogged. 4. Wrong direction of rotation. 5. Specific gravity or viscosity of oil is too high. 6. Incorrect impeller diameters. 7. Wear ring clearances excessive. 8. (Impeller axial line-up) centerline of impeller, to centerline of diffuser incorrect. 	<ol style="list-style-type: none"> 1. Check pump rating against actual head condition. 2. Adjust and/or redesign suction system. Add oil to system. 3. Inspect strainer and impeller and clean as necessary. 4. Reverse direction of rotation. 5. Check oil temperature and adjust as necessary. 6. Replace impellers or trim impellers to correct diameter. Consult with Carver Pump before trimming impellers. 7. Replace impellers and/or wear rings as required. 8. Adjust impeller relative to diffuser by adding or subtracting shims as required. Refer to Section VII, Paragraph G.

Table 1. Pumping Unit Troubleshooting (Continued)

SYMPTOM	PROBABLE CAUSE	CORRECTIVE ACTION
Vibration excessive.	<ol style="list-style-type: none"> 1. Foundation bolting loose. 2. Coupling halves not properly oriented relative to each other. 3. Impeller partially blocked. 4. Wrong rotation. 5. Insufficient foundation. 6. Pipe strain. 7. Coupling key to motor or coupling key to pump is not correct length. 8. Impellers reassembled in wrong order. 9. Wear ring clearances excessive. 10. Rotating equipment imbalance. 11. Motor improperly balanced. 	<ol style="list-style-type: none"> 1. Torque bolting to proper values. 2. Adjust coupling halves system relative to match marks. 3. Inspect impeller and clean as necessary. 4. Adjust direction of rotation. 5. Stiffen foundation as necessary. 6. Modify piping as necessary. 7. Replace with key of correct length. 8. Reassemble impellers in correct order (mark number of stage on impeller during disassembly). 9. Replace impellers and/or wear rings as required. 10. Replace shaft or balance impellers 11. Balance motor.
Oil leak.	<ol style="list-style-type: none"> 1. Loose tube connection. 2. Defective oil seal. 3. Loose or defective gasket. 	<ol style="list-style-type: none"> 1. Tighten tube Connectors. 2. Replace oil seal. 3. Tighten bolting and/or replace gasket.
Bearing temperature excessive.	<ol style="list-style-type: none"> 1. Lubrication, insufficient lubrication. 2. Defective bearing. 	<ol style="list-style-type: none"> 1. Lubricate according to Section VI, Paragraph A. 2. Replace bearing.

VI. MAINTENANCE.

Generally the pump does not need continuous supervision. The pump should always run quietly and smoothly, without vibration. To ensure such operation, the following maintenance schedule should be applied at regular intervals during operation of the pump. Occasional visual checks are recommended. Data should be recorded for each pump to keep track of maintenance which has been performed and to note operational problems. A sample maintenance record sheet is provided for this purpose at the front of this manual.

Daily Inspection:

- Visually inspect unit.
- Check bearing temperatures.

Weekly Inspection:

- Check power (amps) readings.
- Check pump discharge pressure. Prescribed operating discharge pressure should never drop below 90 percent of design point pressure.

- Check vibration on pump and driver bearings. Vibration should NOT exceed 1.5 overall displacement (unfiltered) peak to peak mils (0.001") at 3600 RPM and 3.0 overall displacement (unfiltered) peak to peak mils (0.001") at 1750 RPM.

Monthly Inspection:

- Check coupling alignment.
- If necessary, grease coupling. Do NOT over grease.
- Check foundation bolts.

Semi-annual Inspection:

- Check coupling alignment due to settling of foundation.
- If stand-by pumps are installed, it is advisable to operate pumps on a rotation system to give each pump a certain duty. This ensures that stand-by pumps will always be in good condition for instant start-up.

25000 Hours - Overhaul

- For pump overhaul, disassemble pump, complete parts inspection, and reassemble pump according to Section VII.
- Inspect suction casing for corrosion, erosion or other damage. 3mm limit of metal loss in suction casing and discharge casing (Items 2 and 3).

A. LUBRICATION OF PUMP BEARINGS AND BUSHINGS.

Ball Bearing (26). The pump ball bearing (26) is grease lubricated.

Throttle Bushing (13) and Lower Bearing (18). The throttle bushing (13) and lower bearing (18) are lubricated by a forced oil feed system and are self-lubricating.

B. LUBRICATION OF MOTOR. See motor manufacturer's instructions to be sure motor bearings are properly lubricated.

C. TORQUE VALUES. Refer to Table 2, Recommended Torque Values. Clean and properly lubricate threads and bearing face of the fastener to obtain the proper fastener loading from these torque values. Fasteners should be tightened evenly and in stages. Refer to your torque wrench manual for the proper use of your wrench.

Table 2. Recommended Torque Values (ft-lbs)

Bolt Size	Material		
	Composite	Steel (or otherwise noted)	316 Stainless Steel
1/4"-20	5	5	7
5/16"-18	11	11	12
3/8"-16	18	18	21
1/2"-13	33	39	45
5/8"-11	54	83	97
3/4"-10	80	105	132
7/8"-9	109	160	203
1"-8	144	236	300

Table 3. Recommended Equipment

Tools	Materials	Test Equipment
Spanner Wrench Rawhide or Wood Mallet Wooden Wedge Allen Wrench Set Socket, Open, & Box Wrench Set Vice Grips Torque Wrench Bearing Heater	Oil O-ring Lubricant	Coupling Alignment Gauges Volt-Amp Meter

VII. SERVICE AND REPAIR.

Refer to Figure 4 to locate the pump parts by item number and parts list.

A. PREPARATIONS FOR DISASSEMBLY OF PUMP.

During disassembly, match mark parts so they can be replaced in their original position. All parts should be thoroughly cleaned or replaced with new, if necessary. Sealing faces should be perfectly clean. Carver Pump Company recommends that all O-rings and shims are only used once.



CAUTION

Factory authorized parts must be used to safely maintain your Carver Pump.

NOTE

To avoid damage to O-rings, check to make sure all parts are free of sharp edges or burrs.

Close suction and/or discharge valves. The pump suction casing should be cooled down to ambient temperature. The suction casing must be empty and not under pressure.

After prolonged operation, components may not be easily removed from shaft. In such instances, rust solvent may be used and suitable extracting tools applied wherever possible. Do NOT use force under any circumstances. Refer to Table 3, Recommended Equipment, for proper tooling during disassembly and assembly. Refer to appropriate sectional drawing for location of parts followed by an item number. Assemble the pump in accordance with accepted rules of engineering practice. Coat individual components with a suitable lubricant before assembling. Assembly of unit should be performed on a clean, flat surface.

While assembling the pumping unit, Carver Pump Company recommends that the following parts be replaced with new:

- O-rings / gaskets
- Shims
- Bearings
- Grease seals
- Mechanical seals

Prepare the pumping unit for disassembly using the following list:

1. Read this entire section and study the sectional view drawing, Figure 4, before disassembling the pump.



Before attempting to disassemble the pump, the electrical power supply to the driver must be locked and tagged in the "OFF" position to prevent injury or death to personnel servicing the pumping unit.

2. Stop the pumping unit; refer to Section IV, Paragraph E.



Properly decontaminate pump and piping before disconnecting the pumping unit. Applicable hazardous material procedures must be followed.

3. Slowly close discharge valves.
4. Shut off and close all valves controlling flow of liquid to and from pump. Disconnect piping and gauge line as necessary.
5. Allow pump to drain. If necessary, flush pump to remove corrosive or toxic pumpage.
6. Remove coupling guard.
7. Disconnect coupling between pump and motor. If non-spacer coupling is fitted, the driver will have to be removed from the baseplate.

B. DISASSEMBLY OF PUMP. The instructions that follow are an aid for properly trained personnel to service your Carver Pump. These instructions refer to Figure 4. If a specific sectional assembly drawing exists for a particular job then that drawing should be referred to for service work. Read this entire section and study Figure 4 before disassembling the pump.



Use a hoist with adequate lifting capacity.

NOTE

Mark or number each component while dismantling according to sequence.

1. Attach hoisting chain to motor lifting eye.
2. Remove coupling guard capscrews (49) and coupling guard lockwashers (50) from coupling guard (20). Remove coupling guard (20). Remove coupling guard gasket (88) from coupling guard (20). Match mark coupling (22) halves to assure proper coupling reassembly. Disconnect coupling (22) halves. If servicing motor or replacing coupling (22), remove coupling pin (94) and loosen setscrews to remove coupling (22) half and motor coupling key (38) from motor shaft.
3. Remove locknuts (48) from studs (47), freeing motor from motor bracket (6). Hoist motor and motor coupling (22) half way from pump and place on plywood or heavy cardboard.
4. Disconnect piping. Remove foundation bolts from base (39). Insert one lifting eye onto each corner of the base (39) bolt holes.



Use a hoist with adequate lifting capacity.

5. Attach hoisting chain lifting eyes. Hoist pump to a suitable working area. Remove hoisting chain from lifting eyes.
6. Loosen tube connectors (55, 60, and 85) nuts and remove tubing (56, 68, 69, and 71).
7. Remove strainer locknuts (67) from studs (66), separating suction casing (2) and strainer (65). Remove strainer (65).
8. Remove tie bolt locknuts (63) from tie bolts (21). Remove suction casing (2). Remove O-ring (41) from suction casing (2).
9. Lower bearing (18) and lower bearing holder (23) will remain in suction casing (2), unless it is necessary to replace lower bearing (18). For alternative lower bearing assembly (Figure 3), lower bearing (18) will remain in suction casing (2), unless it is necessary to replace lower bearing (18).

10. Remove lower bearing locknut (53) from shaft (7). Remove bearing journal (19) from shaft (7). Remove bearing key (36) from shaft (7).

NOTE

Impeller locknut (29) is left hand threaded.

11. Uncrimp impeller lockwasher (30) tangs. Remove impeller locknut (29) and impeller lockwasher (30) from shaft (7).

NOTE

Mark or number each component as it is dismantled according to sequence.

12. Remove the first stage impeller (10X) and impeller key (34). Remove diffuser (8) and interstage sleeve (17).
13. Remove the interstage casing (5) or discharge stage casing (4) as applicable. Remove O-ring (41).
14. Remove impeller (10) and impeller key (33 or 35). Remove diffuser (8 or 9), as applicable.
15. If applicable remove blind stage sleeve (70) and blind stage wear ring (14X). Remove interstage casing (5). Remove O-ring (41).
16. Repeat steps 14 and 15 as necessary.
17. Remove O-ring (40) from last stage diffuser (9).
18. Remove column/discharge locknut (52) from stud (42). Remove discharge casing (3).

NOTE

Steps 19, 20, and 21 do not need to be completed unless throttle bushing (13) needs to be replaced.

19. Remove gland locknuts (54) from studs (43) and remove gland (12) from discharge casing (3).
20. Remove throttle bushing (13) from discharge casing (3).
21. Remove shaft sleeve (16).
22. Remove coupling half (22) from shaft (7). Remove pump coupling key (37).
23. On the top inside of the motor bracket (6) remove bearing frame locknuts (57) from studs (58) and remove motor bracket (6) and base (39) assembly.
24. Remove locknuts (46) from studs (45). Remove bearing cap (11) from studs (45) and from shaft (7). Remove gasket (73) from bearing cap (11).

25. Remove mechanical seal (64) from shaft (7). If ball bearing (26) removal is not desired, place clean cloth on ball bearing to protect it from dust particles.
26. Remove shaft (7) from bearing frame (1). Remove shaft sleeve(s) (15) and retaining ring (31) from shaft (7).
27. Uncrimp bearing lockwasher (28) tangs. Remove bearing locknut (27). Remove bearing lockwasher (28). Remove ball bearing (26).

C. PARTS INSPECTION.

1. All parts should be thoroughly cleaned or replaced with new ones if necessary. All gasket faces should be perfectly clean. It is recommended that all gaskets, O-rings, and locking devices with a nylock feature be replaced with new if disturbed from position.
2. Inspect suction, interstage, and discharge casings for pitting, scoring, and erosion. The inside of these parts should be free of any pits or grooves. Replace the suction, interstage, or discharge casing if any of these defects are present.
3. Check shaft for runout, scratches, grooves, or any possible damage. Touch up scratches and grooves with a polishing cloth and inspect for remaining grooves or deep scratches. A bent or excessively damaged shaft should be replaced.
4. Inspect impeller, lower bearing, coupling, and sleeve keys for distortion and push fit into keyway. The keys should be square on all four edges. They should fit without having to be forced. The keys should not rock in keyway. Replace keys or shaft if necessary.
5. Inspect tubing for kinking. Replace kinked tubing.
6. If the impeller shows excessive wear due to erosion or pitting, so that performance cannot be restored, it must be replaced.
7. Inspect and clean strainer (65).
8. Inspect mechanical seal. Sealing faces must be glossy and free of scratches, cracks or pits.
9. Measure throttle bushing (13) clearance as follows:
 - a. Measure outside diameter of shaft sleeve (16).
 - b. Measure inside diameter of throttle bushing (13) in three places.
 - c. If difference between high reading of inside diameter of the throttle bushing (13) and low

- reading of outside diameter of shaft sleeve (16) exceeds 0.024 inch, replace throttle bushing (13).
10. Measure lower bearing (18) clearance as follows:
 - a. Measure outside diameter of bearing journal (19) in three places.
 - b. Measure inside diameter of lower bearing (18) in three places.
 - c. If difference between high reading of inside diameter of the lower bearing (18) and low reading of outside diameter of bearing journal (19) exceeds 0.010 inch replace lower bearing.
 11. Inspect ball bearing (26) for damage. A damaged bearing must be replaced. If bearing is removed from shaft, it is recommended that the bearing be replaced. If ball bearing replacement is not possible and ball bearing is

in good condition ball bearing should be cleaned. Protect until ready to use.

12. Insure wear ring (14, 14A or 14X) clearances are in accordance with Table 4 as follows:
 - a. Measure outside diameter of applicable front or back impeller (10 or 10X) hub in three places.
 - b. Measure inside diameter of applicable wear ring (14, 14A or 14X), in three places.
 - c. If difference between high reading of inside diameter of the wear ring (14, 14A or 14X), and low reading of outside diameter of impeller (10 or 10X) hub exceeds double the maximum factory installed clearances or exceeds replacement diametric clearance given in Table 4, replace wear ring (14, 14A or 14X) refer to Section VII, Paragraph D.

Table 4. Wear Ring Clearances

MODEL	STAGE	FACTORY STANDARD DIAMETRIC CLEARANCE	
		MINIMUM	MAXIMUM
WKLV-50	All	0.015 inch	0.019 inch
WKLV-65	All	0.013 inch	0.017 inch

D. REPLACEMENT OF WEAR RINGS. Your pump is equipped with replaceable wear rings in the interstage casings (5), discharge stage casing (4), or suction casing (2). The clearance between the wear rings (14, 14A or 14X) and impeller (10 or 10X) hubs will increase with wear. Internal leakage will result and pump performance will decrease. If difference between high reading of inside diameter of wear ring (14, 14A or 14X) and low reading of outside diameter of impeller hub exceeds double the values in Table 4, wear ring (14, 14A or 14X) should be replaced. To replace wear ring, use the following procedure:

NOTE

If pump is being disassembled only for wear ring replacement, begin at step 1.

If pump was completely disassembled according to Section VII, Paragraph B, begin at step 2.

1. Shut pumping unit down according to Section IV, Paragraph E. Disassemble pump according to Section VI, Paragraph B, steps 1 through 18.

2. Take interstage casing (5), discharge stage casing (4), or suction casing (2) as applicable.
3. Remove wear ring (14, 14A or 14X) from interstage casing (5), discharge stage casing (4), or suction casing (2) as applicable.
4. Press new wear ring (14, 14A or 14X) into interstage casing (5), discharge stage casing (4), or suction casing (2) as applicable. Beveled edge of wear ring is installed toward impeller.
5. Inspect impeller hub (10 or 10X). Remove any scrapes or scratches from impeller (10 or 10X) with emery cloth.
6. Place impeller (10 or 10X) on an arbor and mount between centers in a lathe or a grinder. As applicable, indicate back or front of impeller hub to within 0.002 inch Total Indicator Reading (TIR) maximum to be sure the arbor and impeller are running square.
7. Turn the wear ring surface of impeller (10 or 10X) until a 63 RMS or better finish is obtained.
8. Measure the outside diameter of the back or front impeller hub, as applicable and record this value as follows:

- a. Measure outside diameter of applicable front or back impeller (10 or 10X) hub in three places.
 - b. Measure inside diameter of applicable wear ring (14, 14A or 14X), in three places.
9. Mount the interstage casing (5), discharge stage casing (4), or suction casing (2) as applicable with new wear ring (14, 14A or 14X) installed in a lathe. Indicate male rabbet to within 0.002 TIR maximum.
 10. Bore wear ring (14, 14A or 14X) to within the specified tolerance listed in Table 2 over the recorded size of the outside diameter of the back or front impeller hub, as applicable.
 11. If complete pump reassembly is required reassemble pump according to Section VII, Paragraph E, steps 1 through 30. If pump was disassembled for wear ring replacement only, reassemble pump according to Section VII, Paragraph E, steps 11 through 30.
3. Lubricate shaft (7) to facilitate installation of mechanical seal (90). Install mechanical seal on shaft (7).
 4. Secure bearing cap (11) to bearing frame (1) with new bearing cap locknuts (46) on studs (45).
 5. Secure bearing frame (1) and column (25) assembly to motor bracket (6) and base (39) assembly with new bearing frame locknuts (57) on studs (58).
 6. Install remaining shaft sleeves (15) and shaft sleeve (16).
 7. If removed, press throttle bushing (13) into discharge casing (3). Secure gland (12) to discharge casing (3) with new gland locknuts (54) on studs (43).
 8. Slide discharge casing (3) onto shaft (7) and secure it to column (25) with new column/discharge locknuts (52) on studs (42).
 9. Install last stage impeller key (33).

NOTE

E. REASSEMBLY OF PUMP.

During reassembly, install parts as applicable.



CAUTION

During reassembly, install new locknuts, as they have a self-locking feature. Locknuts with a self-locking feature may not provide adequate security once disturbed from position.

During reassembly, install new O-rings, grease seals, and gaskets if disturbed from position. O-rings, grease seals and gaskets may have been damaged during disassembly.

During reassembly, Carver recommends that ball bearing (26) be replaced if disturbed from position.

1. Install one shaft sleeve (15) and retaining ring (31) on shaft (7). Install grease seal (97) in bearing frame (1).
2. If removed, install ball bearing (26) on shaft (7). Install bearing lockwasher (28). Install bearing locknut (27) on shaft (7). Crimp tangs of bearing lockwasher (28) in grooves of bearing locknut (27). Install shaft (7) with ball bearing (26) in bearing frame (1) and column (25) assembly.

Ensure parts are fitted in sequence as marked during disassembly. It is important to reinstall shims in correct sequence.

If new impellers and/or sleeves are fitted during reassembly the last impeller must be axially aligned with respect to the diffuser according to Section VI, Paragraph G.

Ensure wear rings (14, 14A or 14X) are installed in interstage casing (5), discharge stage casing (4), or suction casing (2) as applicable.

10. Install new O-ring (40). Install last stage diffuser (9). Install impeller (10). Install interstage sleeve (17). Install impeller key (35).
11. Install new O-ring (41) on interstage casing (5). Install interstage casing (5).
12. Install diffuser (8). Install impeller (10). Install interstage sleeve (17). As applicable, install key (34 or 35).
13. Repeat steps 10 and 11, as necessary.
14. If present, install blind stage sleeve (70). Install new O-ring (41) on interstage casing (5). Install interstage casing (5) with blind stage wear ring (14X).
15. If equipped, install new O-ring (41) on discharge stage casing (4). Install discharge stage casing (4).

16. Install diffuser (8). Install impeller (10X).

NOTE

Impeller locknut (29) is left hand threaded.

17. Install impeller lockwasher (30). Install impeller locknut (29). Crimp tangs of impeller lockwasher (30) in grooves of impeller locknut (29).
18. Install key (36) in shaft (7). Install bearing journal (19) on shaft (7). Install new lower bearing locknut (53) on shaft (7).
19. If removed, install lower bearing (18) in lower bearing holder (23) that is inside suction casing (2). For alternative lower bearing assembly (Figure 3), if removed install lower bearing (18) in suction casing (2).
20. Install new O-ring (41) on suction casing (2). Install suction casing (2) and secure with new tie bolt locknuts (63) on tie bolts (21).
21. Install strainer (65) and secure to suction casing (2) with new strainer locknuts (67) on studs (66).
22. Install tubing (56 and 69) on tube connectors (55 and 85). Tighten tube connector (55 and 85) nuts.
23. Install coupling key (37). Install coupling half (22) on shaft (7). If applicable, tighten setscrews and insert spring pin to secure coupling half to shaft.



CAUTION

Use a hoist with adequate lifting capacity.

24. Attach hoisting chain to lifting eyes. Hoist pump to installation site, placing base (39) on foundation.
25. Remove lifting eyes.



CAUTION

Use a hoist with adequate lifting capacity.

26. Hoist motor to installation site. Place motor in position on motor bracket (6) and secure with new motor locknuts (48) on studs (47).
27. Confirm that the pump rotates freely. Connect piping.
28. Connect coupling using match marks made during disassembly and align according to Section III, Paragraph C.

29. Install new guard gasket (88) on coupling guard (20). Install coupling guard (20) and secure with lockwashers (50) and capscrews (49).
30. Remove all tags from valves and switches. Open system valves. Reconnect power supply to motor.
31. Start pumping unit in accordance with Section IV, Paragraphs A, B, C, and D.

F. REPLACEMENT OF MECHANICAL SEAL.

1. Slowly close discharge valves.
2. Stop the pumping unit in accordance with the directions on the electrical power supply.
3. Tagout and lockout power to motor according to OSHA Standard 1910.147.
4. Shut off and close all valves controlling flow of liquid to and from pump. Disconnect piping and gauges as necessary.



CAUTION

Use a hoist with adequate lifting capacity.

5. Attach hoisting chain to motor lifting eye.
6. Remove capscrews (49) and lockwashers (50) from coupling guard (20). Remove coupling guard (20). Remove guard gasket (88) from coupling guard (20). Match mark coupling (22) halves to assure proper coupling reassembly. Disconnect coupling (22) halves.
7. Remove locknuts (48) from studs (47), freeing motor from motor bracket (6). Hoist motor and motor coupling (22) half away from pump and place on plywood or heavy cardboard.
8. Loosen connectors (55) and remove tubing (58).
9. Remove coupling half (22) from shaft (7). Remove coupling key (37).
10. Remove locknuts (46) from studs (45). Remove bearing cap (11) from studs (45) and from shaft (7). Remove gasket (73) from bearing cap (11).
11. Remove mechanical seal (90) from shaft (7).
12. Lubricate shaft (7) to facilitate installation of new mechanical seal (90). Install mechanical seal on shaft.
13. Install new gasket (73) on bearing cap (11). Secure bearing cap (11) to column (25). With new locknuts (46) on studs (45).
14. Continue reassembly according to Section VII, Paragraph E.

G. IMPELLER AXIAL ALIGNMENT. If new parts are fitted during reassembly, such as impellers and/or sleeves, the last stage impeller must be axially aligned with respect to the diffuser.

Refer to Figure 2. Measure the distance “A” from the outboard face of the interstage casing (5) to the outboard face of the impeller (10X) hub.

If shimming is required to achieve desired dimension, install shim between impeller (10X) and interstage sleeve (17). Repeat measuring and shimming until the correct dimension is achieved.

H. MOTOR. The motor should be maintained in accordance with the manufacturer’s instructions.

I. COUPLING. The coupling should be maintained in accordance with the manufacturer’s instructions.

J. CHECK VALVE. If applicable, the check valve should be maintained in accordance with the manufacturer’s instructions.

VIII. PARTS LISTS AND DRAWINGS.

This section contains listings of parts and corresponding drawings. Figure 4 notes the recommended spare parts for this pumping unit. Figure 4 is the sectional assembly drawing with parts list.

Table 5. Recommended Spare Parts List

Item	Description	Item	Description
7	Shaft	33	Last Stage Impeller Key
10	Impeller	34	First Stage Impeller Key
10X	First Stage Impeller	35	Impeller Key
13	Throttle Bushing	36	Bearing Key
14	Wear Ring	37	Coupling Key – Pump
14A	First Stage Wear Ring	39	Spacer Sleeve
14X	Blind Stage Wear Ring	40	O-ring
15	Shaft Sleeve	41	O-ring
16	Shaft Sleeve	46	Bearing Cap Locknut
17	Interstage Sleeve	48	Motor Locknut
18	Lower Bearing	51	Bracket/Base Locknut
19*	Bearing Journal	52	Column/Discharge Locknut
23*	Lower Bearing Bushing	53	Lower Bushing Locknut
24	Gasket	54	Gland Locknut
26	Ball Bearing	57	Bearing Frame Locknut
27	Bearing Locknut	63	Tie Bolt Locknut
28	Bearing Lockwasher	67	Strainer Locknut
29	Impeller Locknut	70	Blind Stage Sleeve
30	Impeller Lockwasher	88	Coupling Guard Gasket
31	Retaining Ring	90	Mechanical Seal

*Items 19 and 23 changed to (1) piece on 2013 AUG 01.

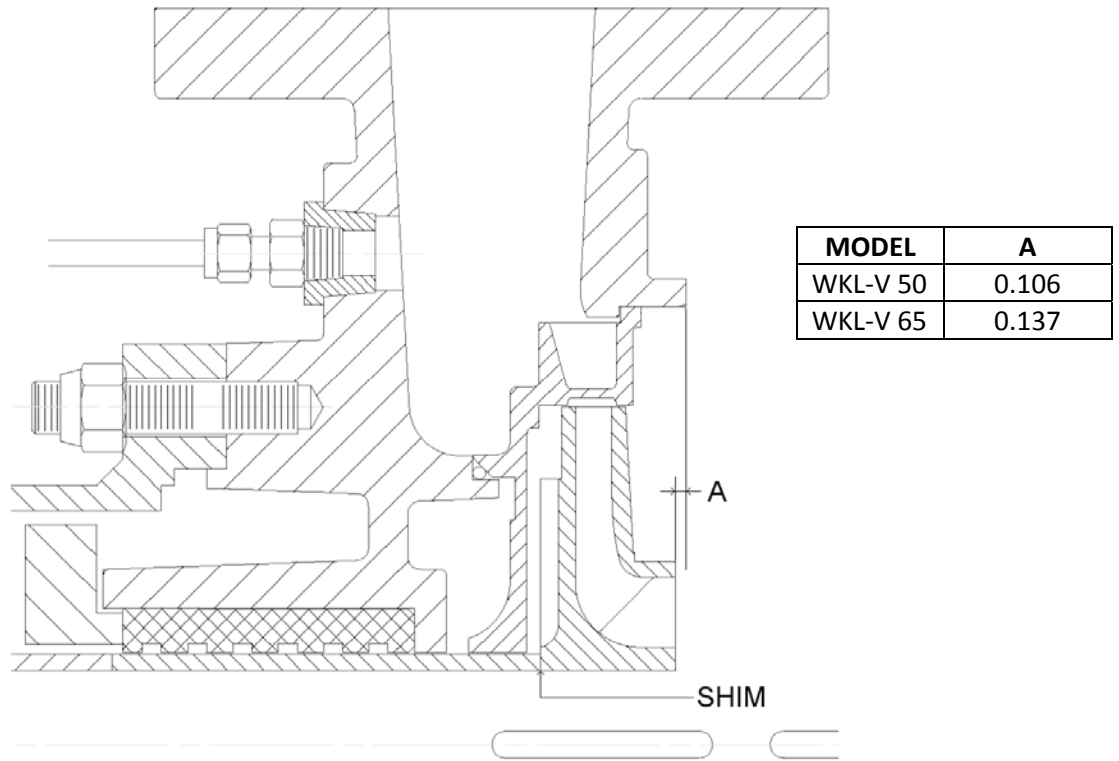


Figure 2. WKL-V-50 and WKL-V-65 Axial Alignment of Impeller

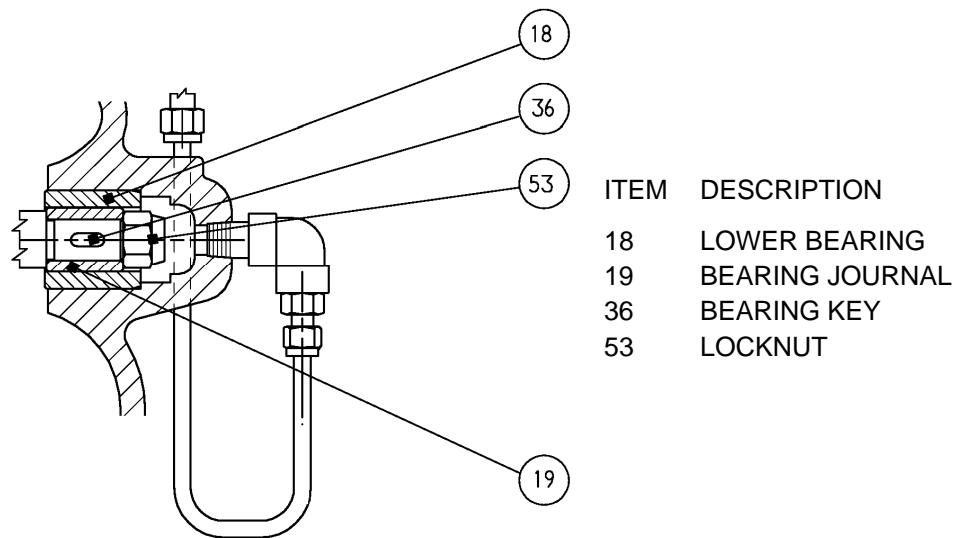
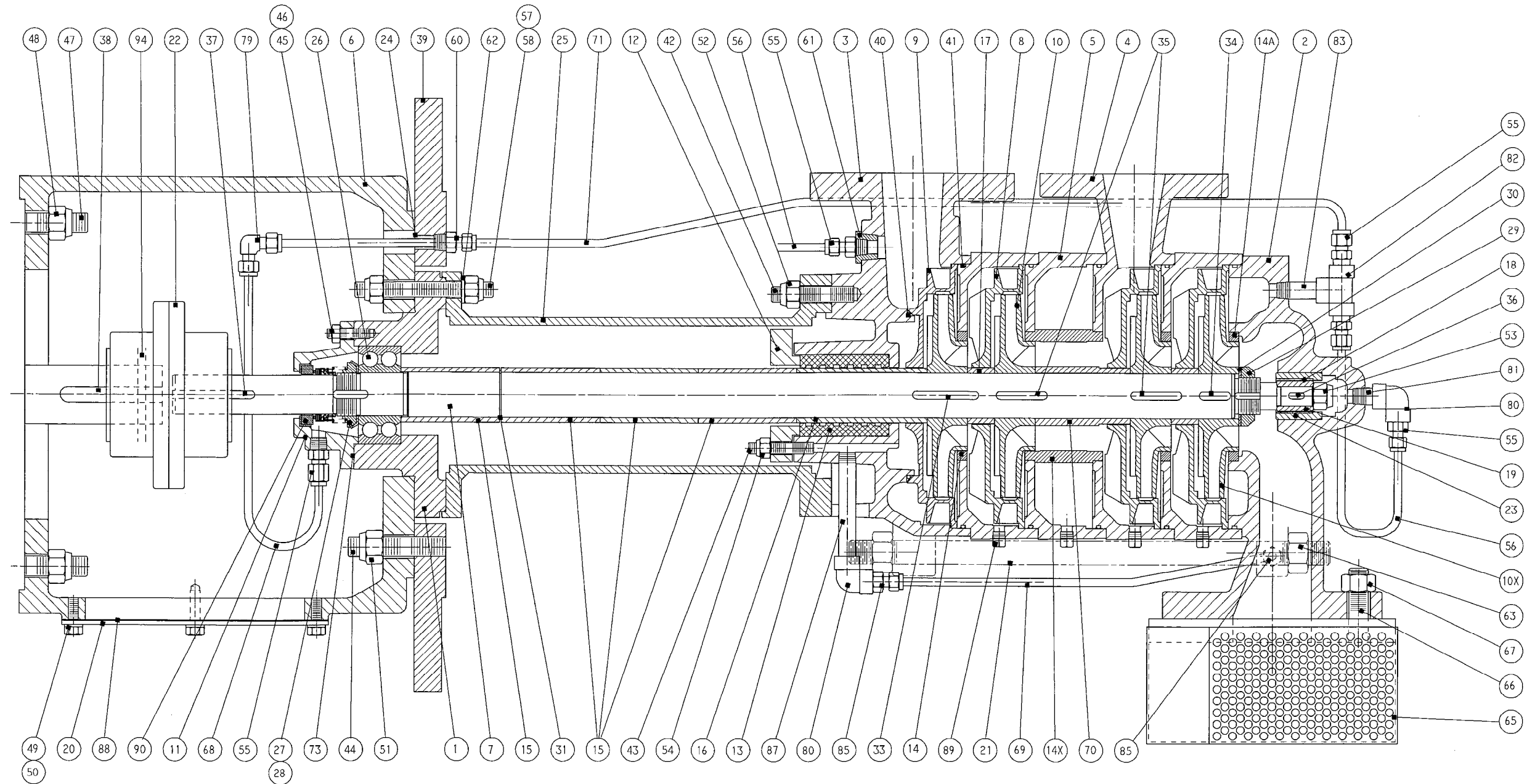


Figure 3. Alternative Lower Bearing Assembly

This page left intentionally blank.



ITEM	DESCRIPTION	ITEM	DESCRIPTION	ITEM	DESCRIPTION	ITEM	DESCRIPTION	ITEM	DESCRIPTION
1	BEARING FRAME	14A	WEAR RING - 1ST STG.	28	BEARING LOCKWASHER	44	STUD	60	TUBE CONNECTOR
2	SUCTION CASING	14X	WEAR RING - BLIND STG.	29	IMPELLER LOCKNUT	45	STUD	61	BUSHING
3	DISCHARGE CASING	15	SHAFT SLEEVE	30	IMPELLER LOCKWASHER	46	LOCKNUT	62	WASHER
4	DISCHARGE STAGE CASING	16	SHAFT SLEEVE	31	RETAINING RING	47	STUD	63	LOCKNUT
5	INTERSTAGE CASING	17	INTERSTAGE SLEEVE	33	IMP. KEY - LAST STG.	48	LOCKNUT	65	STRAINER
6	MOTOR BRACKET	18	LOWER BEARING	34	IMP. KEY - 1ST STG.	49	CAPSCREW - COUP. GD.	66	STUD
7	SHAFT	19	BEARING JOURNAL	35	IMPELLER KEY	50	LOCKWASHER - COUP. GD.	67	LOCKNUT
8	DIFFUSER	20	COUPLING GUARD	36	BEARING KEY	51	LOCKNUT	68	TUBE
9	DIFFUSER - LAST STG.	21	TIE BOLT	37	COUPLING KEY - PUMP	52	LOCKNUT	69	TUBE
10	IMPELLER	22	COUPLING	38	COUPLING KEY - MOTOR	53	LOCKNUT	70	SLEEVE - BLIND STAGE
10X	IMPELLER - 1ST STG.	23	LOWER BEARING HOLDER	39	BASE	54	LOCKNUT	71	TUBE
11	BEARING CAP	24	GASKET - ADPT./ BASE	40	O-RING	55	TUBE CONNECTOR	73	GASKET
12	GLAND	25	COLUMN	41	O-RING	56	TUBE	79	UNION ELBOW
13	THROTTLE BUSHING	26	BALL BEARING	42	STUD	57	LOCKNUT	81	CLOSE NIPPLE
14	WEAR RING	27	BEARING LOCKNUT	43	STUD	58	STUD	80	90° ELBOW

Figure 4. Sectional Assembly Drawing
17/(18 blank)

This page left intentionally blank.

This page left intentionally blank.



Carver Pump Company

2415 Park Avenue • Muscatine, IA 52761

Phone: 563.263.3410 • Fax: 563.262.0510

www.carverpump.com

**I-211
SEP 2013
Revision 0**